

Control Desk CD2

CONTROL



GENERAL INFORMATION

The CD2 Control Desk manages all hoists in the system. Allowing the selection of individual or grouped machines directly from the LCD touch screen and program motion sequences. Various group movements such as asynchronous and synchronous movements, time destination drives are possible. Two independent joysticks control individually sequences, scenes or groups of hoists.

To ensure operation on stage level and anywhere, the CD2 master control desks connect to a Plugbox which is also the power supply, and extend the wired operation to wherever you need them to be. By default GENESIS systems support two Plugboxes which can be extended with Master Plugboxes to a total of up to 6.

APPLICATIONS

Suited for a wide range of applications such as theatres, operas, academic venues such as auditoriums, concert halls, multipurpose venues, convention centers, arenas and more.

REGULATIONS

- DGUV V17/18
- EN 17206
- SIL3 approved and certified

FEATURES

- All GENESIS functions (see GENESIS system datasheet for all features)
- Languages: English, French, German, Russian, Spanish
- Metric system
- Multi-desk use: 2 CD desks can operate at the same time
- Equipped with 13" inch LCD touch screen, 6 intelligent LCD push buttons
- Split-screen control and 2 independent joysticks for proportional and precise variable speed control: 2 independent selecting groups
- Built-in E-Stop button in each control
- Intuitive user interface and dynamic real-time control

SYSTEM CAPACITY

- Up to 128 hoists
- Up to 16 LC8 control units or desks
- 2 fixed software limits per axis, 2 user-adjustable soft limits per axis

HOIST FUNCTIONS

- User management for predefined levels: customizable user hierarchy and unlimited amount of profiles
- Hoist names: Up to 4 characters

GENERAL SHOW MANAGEMENT

- Cache memory/history to manually save target and destination preferences – all sequence groups can be stored and recalled
- Individual stage layout: manual select through touch screen, no external keyboard needed

CONNECTION - PORTS

- 2 USB ports for flash drive keyboard or mouse
- USB to Ethernet external connector

CD CONTROL DESKS

The CD model is part of a wider range of ASM Control Desks. As ASM engineered each product to their fullest capacity, each model has their specific composition which cannot be altered. Special models and options can be offered on request.

ACCESSORIES

- Plugboxes
- Stand
- Connection cables (system, power, network)
- Harness

Control Desk CD2

CONTROL



TECHNICAL DATA

MODEL	CONTROL DESK CD2
Type	
SIL Level	SIL3
Rated voltage	24V DC
Frequency	-
Power	30 W Typical
Protection Class	-
UPS	Included
E-Stop Button	Yes
Screen	13,2" LCD Touchscreen
Type of Material	Plastic
Colour	Black
Keyboard	Onscreen Keyboard + 6 intelligent LCD push buttons
Joystick	2x independent Joysticks including Dead man, 1 Axis
Input	GENESIS.Mainbus
Output	-
Communication Protocol	CanCon
Connector Type	XLR 10 pole 2x USB 3.0
Safety System	Dead man button
Dimension HxWxD	151 x 464 x 394 mm (with Joysticks) 107 x 464 x 394 mm (without Joysticks)
Weight	5,9 kg
Mount	19" adapter on request
Environmental Operating Temperature	0-40°C
Control	2 independent channels Full GENESIS functions: scenes, groups, sequences (automatic or no automatic follow) 2 sequences playback at the same time
Including	Documentation 10m system cable 19V 65Wh, exchangeable (for wireless)

OPTIONS

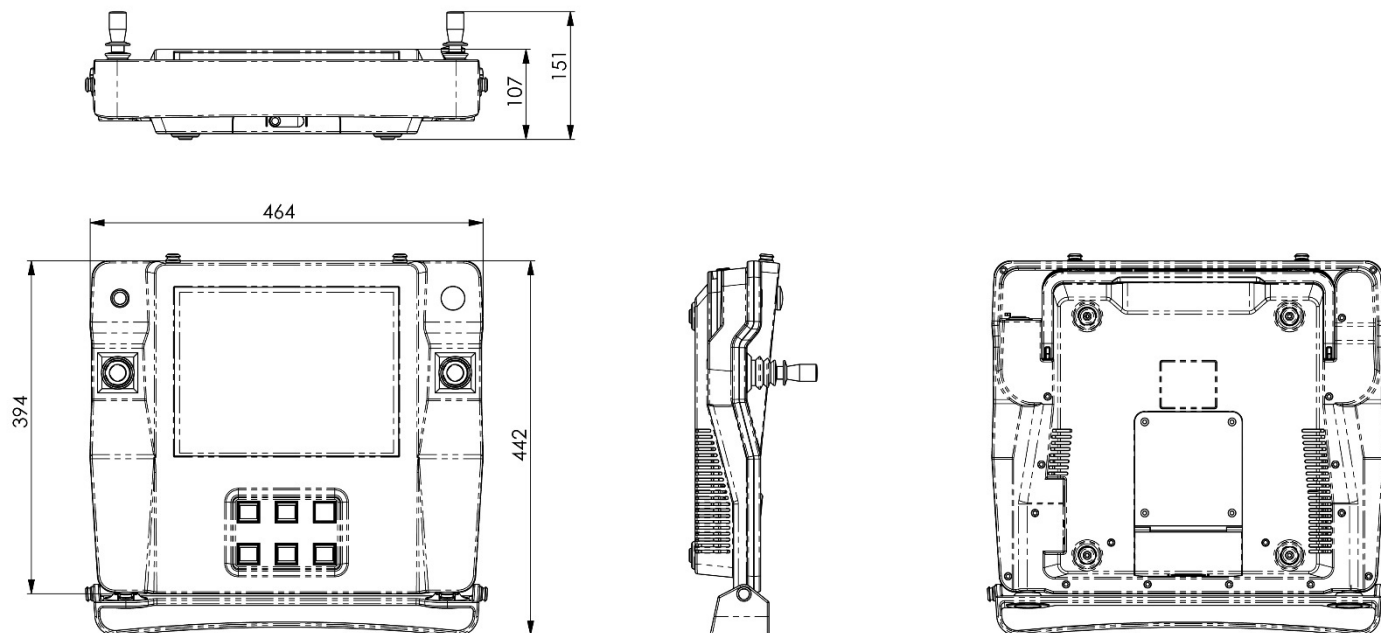
- Available in wireless version
- More options on request

Control Desk CD2

CONTROL



DIMENSIONS



MODEL	CD CONTROL DESK 2	
Height	107 mm (without joysticks)	151 mm (with joysticks)
Width	464 mm	
Depth	394 mm	
Weight	5,9 kg	



ASM Steuerungstechnik GmbH

Otto-Lilienthal-Straße 14 · 33181 Bad Wünnenberg-Haaren · Germany

Phone: +49 2957 985110 · Mail: info@asm-stage.de · www.asm-stage.de

Note: Specifications subject to change without notice. ASM shall not be liable for any inaccuracies or omissions which may occur therein.
GTC apply. commercial register HRB235. magistrates court Paderborn. DS/C.CD2/EN/1611023 ©ASM Steuerungstechnik GmbH.